

Stand-on stacker truck 1.35 - 1.6 ton

BT staxio

S-series

SSE135/L

SSE160/L



TOYOTA

MATERIAL HANDLING

stronger together

Stacker truck

Specification for stacker trucks					SSE135	SSE135L	SSE160	SSE160L
Identification	1.1	Manufacturer			BT		BT	
	1.2	Model			SSE135	SSE135L	SSE160	SSE160L
	1.3	Drive			Electric	Electric	Electric	Electric
	1.4	Operator type			Stand on	Stand on	Stand on	Stand on
	1.5	Load capacity/rated load	Q	kg	1350	1350	1600	1600
	1.6	Load centre	c	mm	600	600	600	600
	1.8	Load distance, front axle to fork face	x	mm	827-809	830-812	782	785
Weight	2.1	Service weight without battery		kg	1230-1520	1230-1520	1230-1520	1230-1520
	2.2	Axle load, with load, drive/castor/support arm wheel		kg	680/475/1600	680/475/1600	795/640/2230	795/640/2230
	2.3	Axle load, without load, drive/castor/support arm wheel		kg	580/430/410	580/430/410	770/615/730	770/615/730
Wheels	3.1	Drive/castor/fork wheel			Polyurethane	Polyurethane	Polyurethane	Polyurethane
	3.2	Wheel size, front		mm	Ø 85	Ø 85	Ø 85	Ø 85
	3.3	Wheel size, rear		mm	Ø 250	Ø 250	Ø 250	Ø 250
Dimensions	4.2	Height, mast lowered	h_1	mm	1987	1987	2013	2013
	4.3	Free lift	h_2	mm	1518	1518	1518	1518
	4.4	Lift	h_3	mm	2810	2810	2810	2810
	4.5	Height, mast extended	h_4	mm	3417	3417	3443	3443
	4.7	Height of overhead guard	h_6	mm	2290	2290	2290	2290
	4.8	Stand height	h_7	mm	245	245	245	245
	4.15	Height, fork lowered	h_{13}	mm	90	90	90	90
	4.19	Overall length	l_1	mm	2188	2224	2249	2270
	4.20	Length to face of forks	l_2	mm	1033	1074	1079	1120
	4.21	Overall width	b_1	mm	900	945	900	945
	4.22	Fork dimensions	e/l	mm	180/1150	180/1150	180/1150	180/1150
	4.25	Width over forks	b_5	mm	570	570	570	570
	4.31	Ground clearance, with load, below mast	m_1	mm	28	28	28	28
4.33	Aisle width for pallets 1000x1200 crossways	A_{st}	mm	2645	2685	2677	2717	
4.35	Turning radius	W_a	mm	1898	1941	1898	1941	
Performance data	5.1	Travel speed, with/without load		km/h	7,6/9,0	7,6/9,0	7,6/9,0	7,6/9,0
	5.2	Lift speed, with/without load		m/s	0,20/0,30	0,20/0,30	0,15/0,25	0,15/0,25
	5.3	Lowering speed, with/without load		m/s	0,45/0,3	0,45/0,3	0,46/0,40	0,46/0,40
	5.8	Max. gradeability, with/without load ¹⁾		%	8/16	8/16	8/16	8/16
	5.10	Service brake			Electric	Electric	Electric	Electric
Electric motor	6.1	Drive motor rating S2 60 min		kW	1,8	1,8	1,8	1,8
	6.2	Lift motor rating at S3 20%		kW	5,0	5,0	5,0	5,0
	6.4	Battery voltage/nominal capacity K_s		V/Ah	24/300-600	24/300-600	24/360-600	24/360-600
	6.5	Battery weight min./max.		kg	250-530	250-530	370-530	370-530
Others	8.1	Type of drive control			Transistor, stepless		Transistor, stepless	

¹⁾ Measured according to company standard

All data are based on table configuration. Other configurations may give other values.

Truck performance and dimensions are nominal and subject to tolerances.

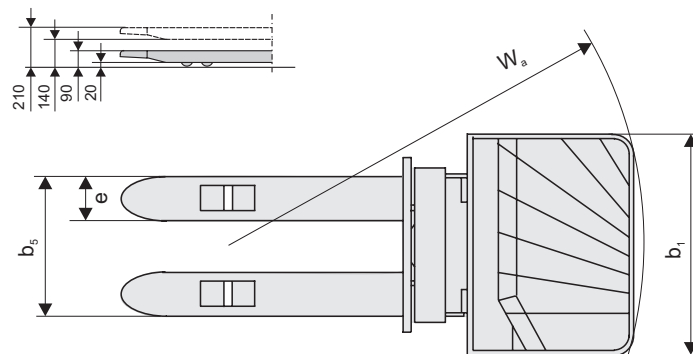
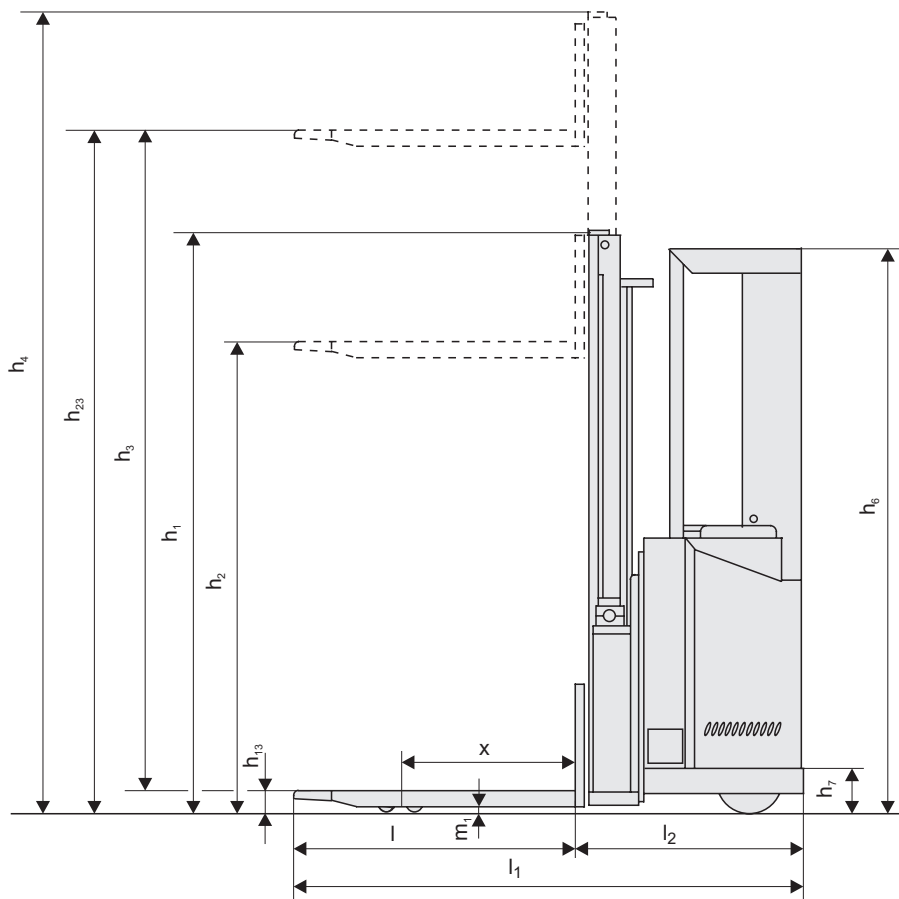
BT products and specifications are subject to change without notice.

Mast dimensions

BT staxio

SSE135/SSE135L			Duplex Tele				Duplex HiLo			Triplex HiLo			
h_3	Lift height ($h_{13}+h_3$)	mm	2800	3350	3750	4150	2900	3350	3750	4150	4500	4800	5400
h_1	Height, mast lowered	mm	1937	2212	2422	2622	1987	2212	2422	1948	2065	2165	2365
h_2	Free lift	mm	—	—	—	—	1518	1743	1943	1476	1592	1692	1892
h_4	Height, mast extended	mm	3317	3867	4277	4677	3417	3867	4277	4670	5021	5321	5921

SSE160/SSE160L			Duplex Tele				Duplex HiLo			Triplex HiLo				
h_3	Lift height ($h_{13}+h_3$)	mm	2900	3350	3750	4150	2900	3350	3750	4400	4800	5400	5700	6300
h_1	Height, mast lowered	mm	2013	2238	2438	2638	2013	2238	2438	2075	2208	2408	2508	2708
h_2	Free lift	mm	—	—	—	—	1518	1743	1943	1465	1598	1798	1898	2098
h_4	Height, mast extended	mm	3443	3893	4293	4693	3443	3893	4293	5058	5458	6058	6358	6958



Truck features:

- Elevating support arms
- Fingertip controls
- Electronic braking system
- Electronic speed control
- Clear-view mast
- Driver detection system
- Easy access for maintenance
- Sideways battery change

